

NOTES:

① MAT'L: COPPER

PLATING: ELECTRO-TIN (.0003 MIN.)

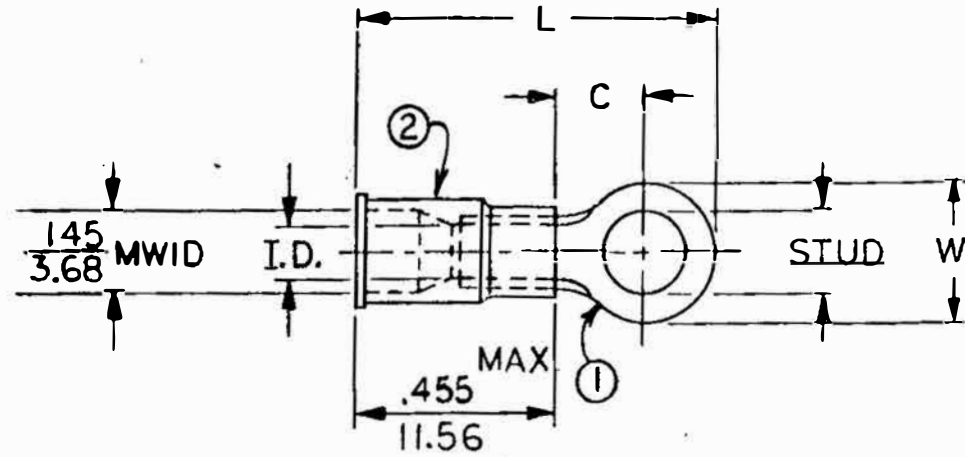
② INSULATION: MOLDED PVC (RED)

STUD SIZES: ($\pm .005$)

- 02 = .094
- 04 = .119
- 06 = .146**
- 08 = .173
- 10 = .198
- 14 = .265
- 56 = .328
- 38 = .390

"UL" LISTING *E32244
 "CSA" LISTING *18689

ALL DIMENSIONS = $\frac{\text{INCHES}}{\text{MM}}$



MWID = MAXIMUM WIRE
 INSULATION DIAMETER
 WIRE SIZE: 22-18 AWG
 .25-1.5 MM²

PART NUMBER	"W" $\pm .010$	"C" MIN.	"L" MAX.	"ID" MIN.	AVAILABLE STUD SIZES	STOCK THICKNESS
	$\frac{.225}{5.71}$	$\frac{.157}{3.99}$	$\frac{.759}{19.28}$	$\frac{.062}{1.57}$	02X, 04X, 06X	$\frac{.028^{+.001}}{.71^{-.000}}$
	$\frac{.312}{7.92}$	$\frac{.270}{6.86}$	$\frac{.946}{23.26}$	$\frac{.062}{1.57}$	06X, 08X, 10X	$\frac{.028^{+.001}}{.71^{-.000}}$
	$\frac{.467}{11.86}$	$\frac{.386}{9.80}$	$\frac{1.110}{28.19}$	$\frac{.062}{1.57}$	10X, 14X, 56X	$\frac{.028^{+.001}}{.71^{-.000}}$
	$\frac{.534}{13.56}$	$\frac{.552}{14.02}$	$\frac{1.309}{33.25}$	$\frac{.054}{1.37}$	10X, 14X, 56X, 38X	$\frac{.031^{\pm .001}}{.79}$
R4A6(M)	$\frac{.254}{6.45}$	$\frac{.240}{6.10}$	$\frac{.857}{21.77}$	$\frac{.062}{1.57}$	04X, 06X, 08X	$\frac{.028^{+.001}}{.71^{-.000}}$

DIMENSIONAL TOLERANCES UNLESS OTHERWISE SPECIFIED			REFERENCE	SCALE: NTS	DATE	TITLE:
FRAC.	DEC.	ANG.		DRWN. BY: K-	10-23-84	RING TONGUE TERMINAL INSULKRIMP 200-SERIES
\pm	\pm	\pm		CHKD. BY: GZ	11-9-84	
				APPRD. BY:		
						DWG. NO. A CUSTOMER DWG.