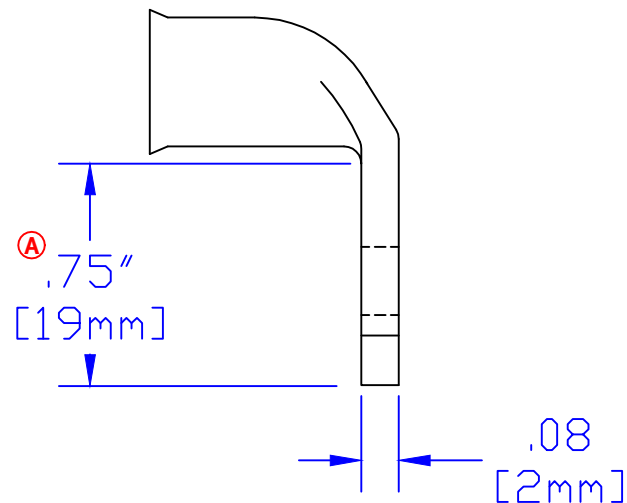
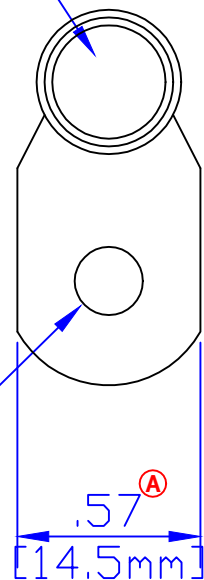


ID sized for
4 ga [19mm²] cable

Hole for
3/8 [M10]stud



elecDirect.com	TITLE	4 ga [19mm ²] 90° 3/8 [M10]
	PART #	5952-050FL
Material & Treatment		
100% Copper Tin plated	Sheet 1	Of 1