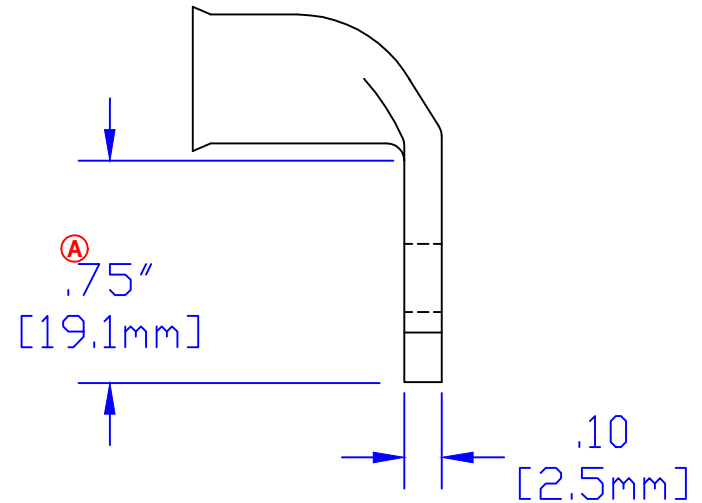
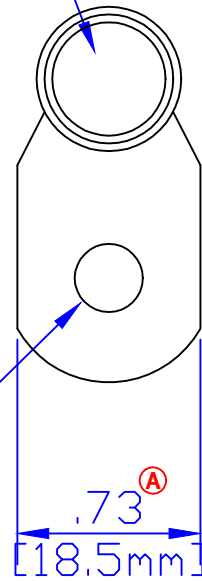


ID sized for 1/0 ga
[50mm²] cable

Hole for
3/8 [M10] Stud



elecDirect.com	TITLE 1/0 ga [50mm ²] 90° 3/8 [M10]	
	PART # 5955-050FL	
Material & Treatment 100% Copper Tin plated		
	Sheet 1	Of 1