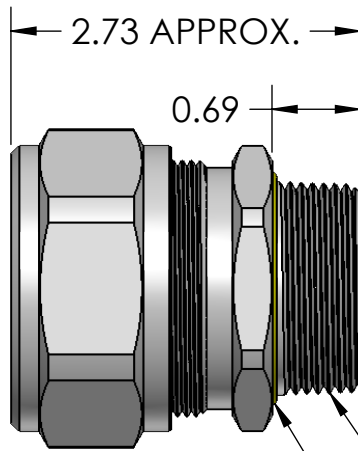


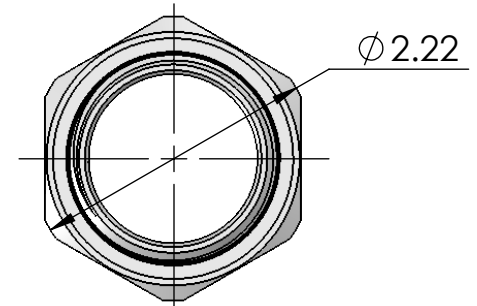
NUT



O-RING

LOCK NUT  
OPTIONAL  
ADD: L OR LS

1-1/4" N.P.T.



BODY

| ITEM NO. | PART NUMBER          | DESCRIPTION | MATERIAL                   | QTY. |
|----------|----------------------|-------------|----------------------------|------|
| 1        | RSSS-400-B           | BODY        | 304 STAINLESS              | 1    |
| 2        | SRB-506 THRU SRB-523 | BUSHING     | NEOPRENE                   | 1    |
| 3        | SW-500-SS            | WASHER      | 304 STAINLESS              | 1    |
| 4        | RSSS-500-N           | NUT         | 304 STAINLESS              | 1    |
| 5        | O-100129             | O-RING      | BUNA-N                     | 1    |
| 6        | LN-125               | LOCK NUT    | ADD: L, C.R.S. ZINC PLATED | 1    |
| 7        | LNSS-125             | LOCK NUT    | ADD: L, STAINLESS STEEL    | 1    |

| CATALOG NUMBER | SEALING RANGE | BODY BORE |
|----------------|---------------|-----------|
| RSSS-406       | .250 - .375   | 1.320     |
| RSSS-410       | .500 - .626   | 1.320     |
| RSSS-411       | .562 - .687   | 1.320     |
| RSSS-412       | .625 - .750   | 1.320     |
| RSSS-413       | .688 - .812   | 1.320     |
| RSSS-414       | .750 - .875   | 1.320     |
| RSSS-415       | .812 - .937   | 1.320     |
| RSSS-416       | .875 - 1.000  | 1.320     |
| RSSS-417       | .937 - 1.062  | 1.320     |
| RSSS-418       | 1.000 - 1.125 | 1.320     |
| RSSS-419       | 1.062 - 1.187 | 1.320     |
| RSSS-420       | 1.125 - 1.250 | 1.320     |
| RSSS-422       | 1.250 - 1.375 | 1.320     |
| RSSS-423       | 1.375 - 1.450 | 1.320     |



| REV. | DATE    | CHANGE           | UNLESS OTHERWISE SPECIFIED:  | DRAWN   | NAME | DATE | <b>REMKE</b><br><b>REMKE INDUSTRIES</b><br>310 CHADDICK DR, WHEELING, IL. 60090 |  |
|------|---------|------------------|--|---|------|------|---|--|
| A    | 5/13/13 | DRAWING RELEASED | DIMENSIONS ARE IN INCHES<br>TOLERANCES:<br>FRACTIONAL ± 1/64<br>ANGULAR: MACH ± 1° BEND ± 1°<br>ONE PLACE DECIMAL ± .015<br>TWO PLACE DECIMAL ± .010<br>THREE PLACE DECIMAL ± .005 | JCN   | JCN  | 5/13 | TITLE:<br><b>RSSS-400 SERIES</b>  |  |
|      |         |                  | INTERPRET GEOMETRIC TOLERANCING PER:   | CHECKED   |      |      | SIZE DWG. NO.<br><b>A</b> RSSS-400 ASSEMBLY                                     |  |
|      |         |                  | MATERIAL<br><b>STAINLESS</b>   | ENG APPR.   |      |      | SCALE 2:3   |  |
|      |         |                  | FINISH   | MFG APPR.   |      |      | SHEET 1 OF 1  |  |
|      |         |                  | DO NOT SCALE DRAWING   | Q.A.  |      |      |   |  |
|      |         |                  |  | <b>PROPRIETARY AND CONFIDENTIAL</b><br>THE INFORMATION CONTAINED IN THIS DRAWING IS THE SOLE PROPERTY OF REMKE INDUSTRIES. ANY REPRODUCTION IN PART OR AS A WHOLE WITHOUT THE WRITTEN PERMISSION OF REMKE INDUSTRIES IS PROHIBITED. |      |      |   |  |