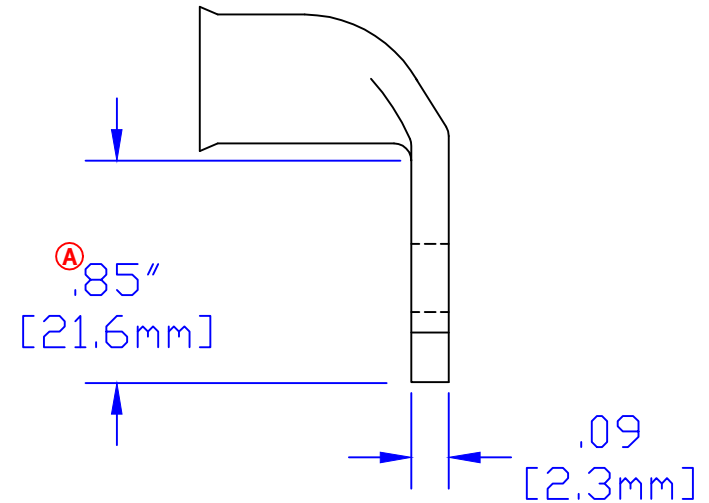
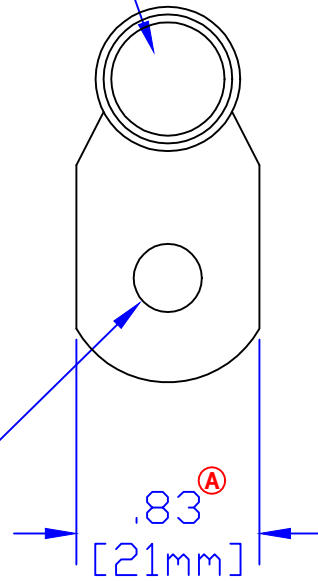


ID sized for 1/0 ga
[50mm²] cable

Hole for
1/2 [M12] Stud



elecDirect.com	TITLE	1/0 ga [50mm ²] 90° 1/2 [M12]
	PART #	5955-050HL
Material & Treatment		
100% Copper Tin plated	Sheet 1	Of 1